



OX-Q QUEEN

CLOSED: 74"w x 23 3/8 x 90 1/2"h
OPENS to 90.5"

OX-F FULL

CLOSED: 66.5"w x 22 x 87 1/2"h

- Available in Alder or Oak
- Uses Standard Mattress up to 11"
- Can be built with split panel tray



Wood: Alder

Pecan (PE)	Hazelnut (HZ)	Ant. Cherry (AC)	Cherry (CO)
Mocha (MO)	Whd. Gray (WG)	Midnight (MN)	Slate (SL)
		Paint Finishes = 15% upcharge	
White (WT)	Black (BK)		

Wood: Oak

Light (LL)	Medium (ML)	Cherry (CO)	Coffee (CF)
Midnight (MN)	Espresso (ES)	Whd. Gray (WG)	Slate (SL)

Hardware for Bed

- W1 Nickle Bar 18"
- W2 Nickle Bar 14 1/2"
- W3 Nickle Bar 9 1/4"
- W4 Nickle Bar 8"
- W5 Nickle Bar 8 1/2"
- W6 Bronze Bar 7"
- W7 Bronze Bar 8 1/2"
- W8 Bronze Bar 8"
- W9 Bronze Bar 7"
- W10 Bronze Bar 12"

Hardware for Piers

- W11 Nickel Round Knob
- W12 Nickel Squire Knob
- W15 Nickel Bar 6 1/4"
- W13 Bronze Square Knob
- W14 Bronze Round Knob
- W16 Bronze Bar 6 1/4"

Pier Sizes

- (XS) Xsmall 17"w x 17.75"d
- (S) Small 21"w x 17.75"d
- (M) Medium 25"w x 17.75"d
- (L) Large 31"w x 17.75"d
- (XL) XLarge 37"w x 17.75"d

Wardrobe Size

- (S) Small 21"w x 19.75"d
- (M) Medium 25"w x 19.75"d
- (L) Large 31"w x 19.75"d
- (XL) XLarge 37"w x 19.75"d

Lighting & Electrical

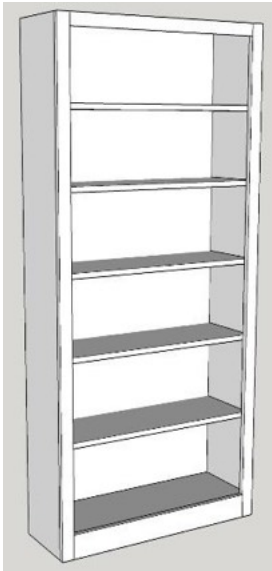
SKU	Type	Description
P1	Black Power Unit	2 Elect, 2 USB
P2	Silver Power Unit	1 Elect, 2 USB
P5	USB Port Only	2 USB Port
L1	LED 2 Light - Bed	2 pucks, on/off switch
P-Puck	Add LED light to Pier	add to all size piers
P-Power	independent power	on/off switch function

Available Add Ons

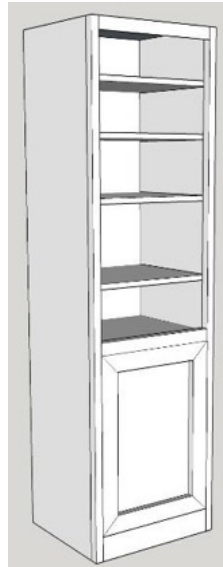
- Change shelves from wood to glass
- Add soft close drawer slides
- Finish inside of drawer with clear coat
- Add soft close hinges
- Additional wire mgmt holes

Oxford

All piers available in all sizes (see front) unless otherwise note
All piers available in 72" or 84" height



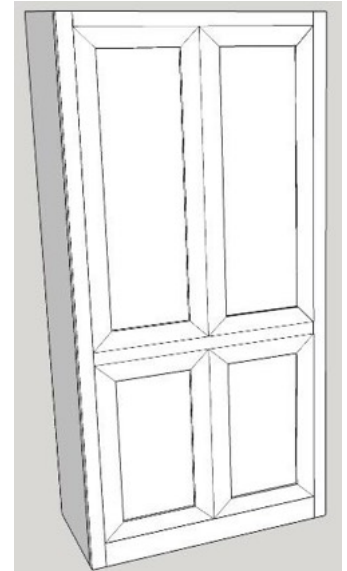
Open Pier (Bookcase)



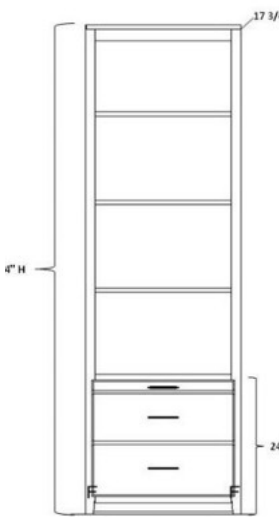
Pier with 1 or 2 door



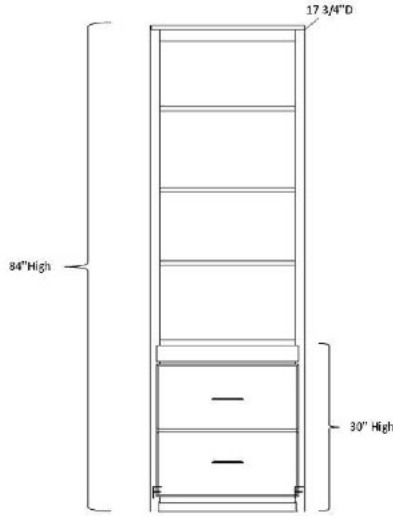
Pier with 3 drawers and pull



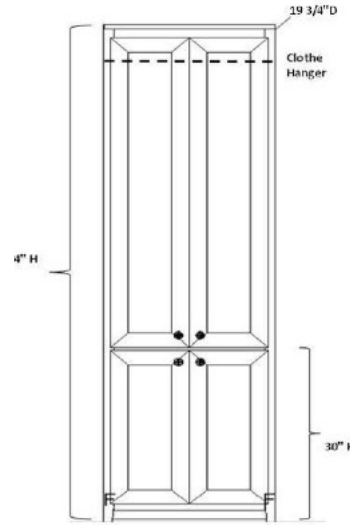
Pier with Full Doors



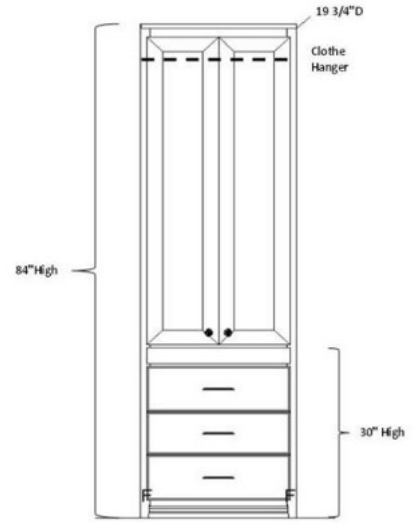
Pier with 2 drawers & pull



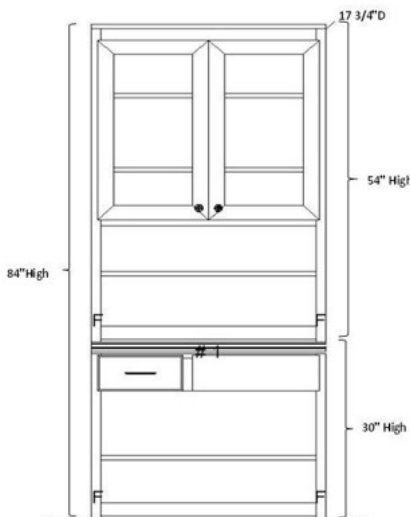
File Pier
(can only be done in 21")



Wardrobe with full doors
(can not be done in 17")



Wardrobe with 3 drawers
(can not be done in 17")



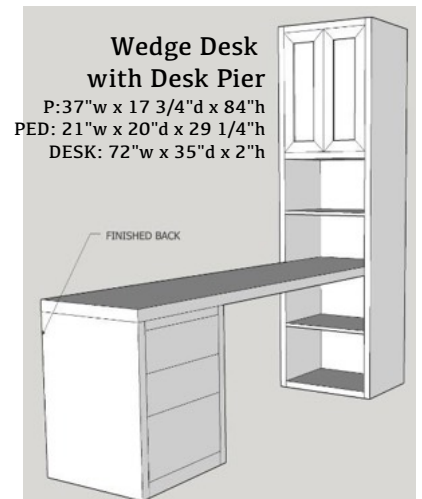
Desk Hutch & Return



Wallbed Desk (goes with return)

Straight Desk with Desk Pier

P: 25" w x 17 3/4" d x 84" h
PED: 21" w x 20" d x 29 1/4" h
DESK: 72" w x 23" d x 2" h



Wedge Desk with Desk Pier

P: 37" w x 17 3/4" d x 84" h
PED: 21" w x 20" d x 29 1/4" h
DESK: 72" w x 35" d x 2" h