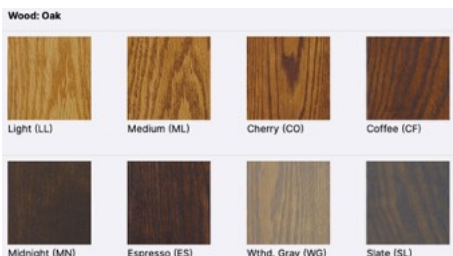
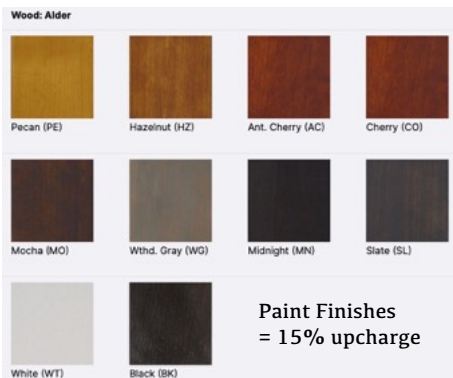


RC-Q QUEEN

CLOSED: 72.75" w x 29 d x 92" h

OPEN: 101" w x 90" d x 92" h

- Available in Alder or Oak
- Uses Standard Mattress up to 11"
- Depth of inside of BK is 8"
- Shelves hold up to 60# on half side
- Available with lower doors



Hardware for Bed

- W1 Nickle Bar 18"
- W2 Nickle Bar 14 1/2"
- W3 Nickle Bar 9 1/4"
- W4 Nickle Bar 8"
- W5 Nickle Bar 8 1/2"
- W6 Bronze Bar 7"
- W7 Bronze Bar 8 1/2"
- W8 Bronze Bar 8"
- W9 Bronze Bar 7"
- W10 Bronze Bar 12"

Hardware for Piers

- W11 Nickel Round Knob
- W12 Nickel Squire Knob
- W15 Nickel Bar 6 1/4"
- W13 Bronze Square Knob
- W14 Bronze Round Knob
- W16 Bronze Bar 6 1/4"

Pier Sizes

- (XS) Xsmall 17" w x 17.75" d
- (S) Small 21" w x 17.75" d
- (M) Medium 25" w x 17.75" d
- (L) Large 31" w x 17.75" d
- (XL) XLarge 37" w x 17.75" d

Wardrobe Size

- (S) Small 21" w x 19.75" d
- (M) Medium 25" w x 19.75" d
- (L) Large 31" w x 19.75" d
- (XL) XLarge 37" w x 19.75" d

Lighting & Electrical

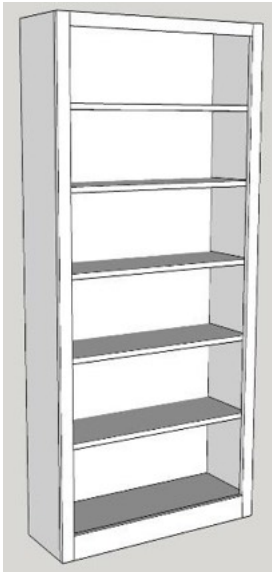
SKU	Type	Description
P1	Black Power Unit	2 Elect, 2 USB
P2	Silver Power Unit	1 Elect, 2 USB
P5	USB Port Only	2 USB Port
L1	LED 2 Light - Bed	2 pucks, on/off switch
P-Puck	Add LED light to Pier	add to all size piers
P-Power	independent power	on/off switch function

Available Add Ons

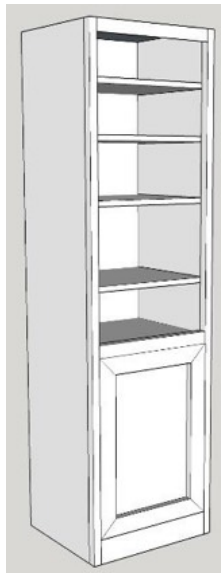
- Change shelves from wood to glass
- Add soft close drawer slides
- Finish inside of drawer with clear coat
- Add soft close hinges
- Additional wire mgmt holes

Library

All piers available in all sizes (see front) unless otherwise note
All piers available in 72" or 84" height



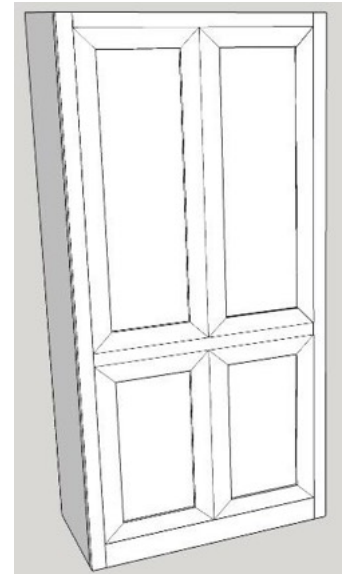
Open Pier (Bookcase)



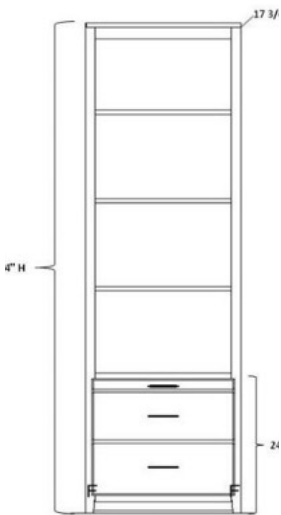
Pier with 1 or 2 door



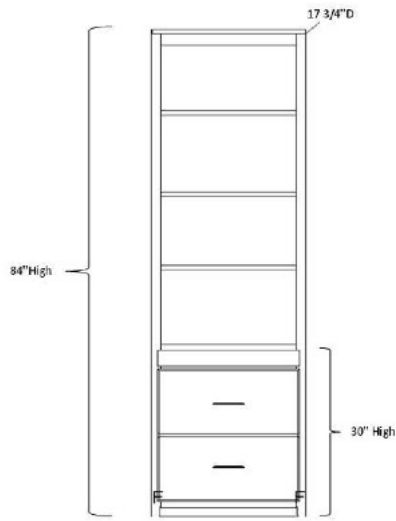
Pier with 3 drawers and pull



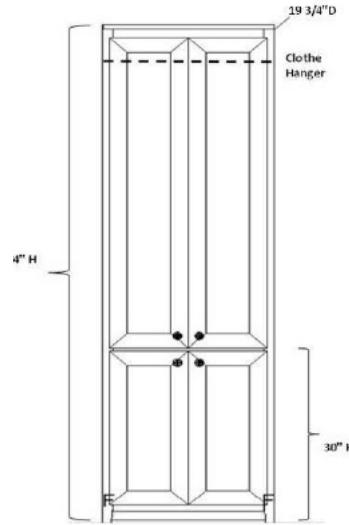
Pier with Full Doors



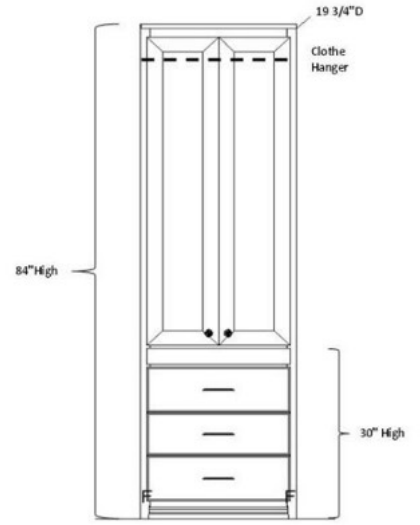
Pier with 2 drawers & pull



File Pier
(can only be done in 21")



Wardrobe with full doors
(can not be done in 17")



Wardrobe with 3 drawers
(can not be done in 17")